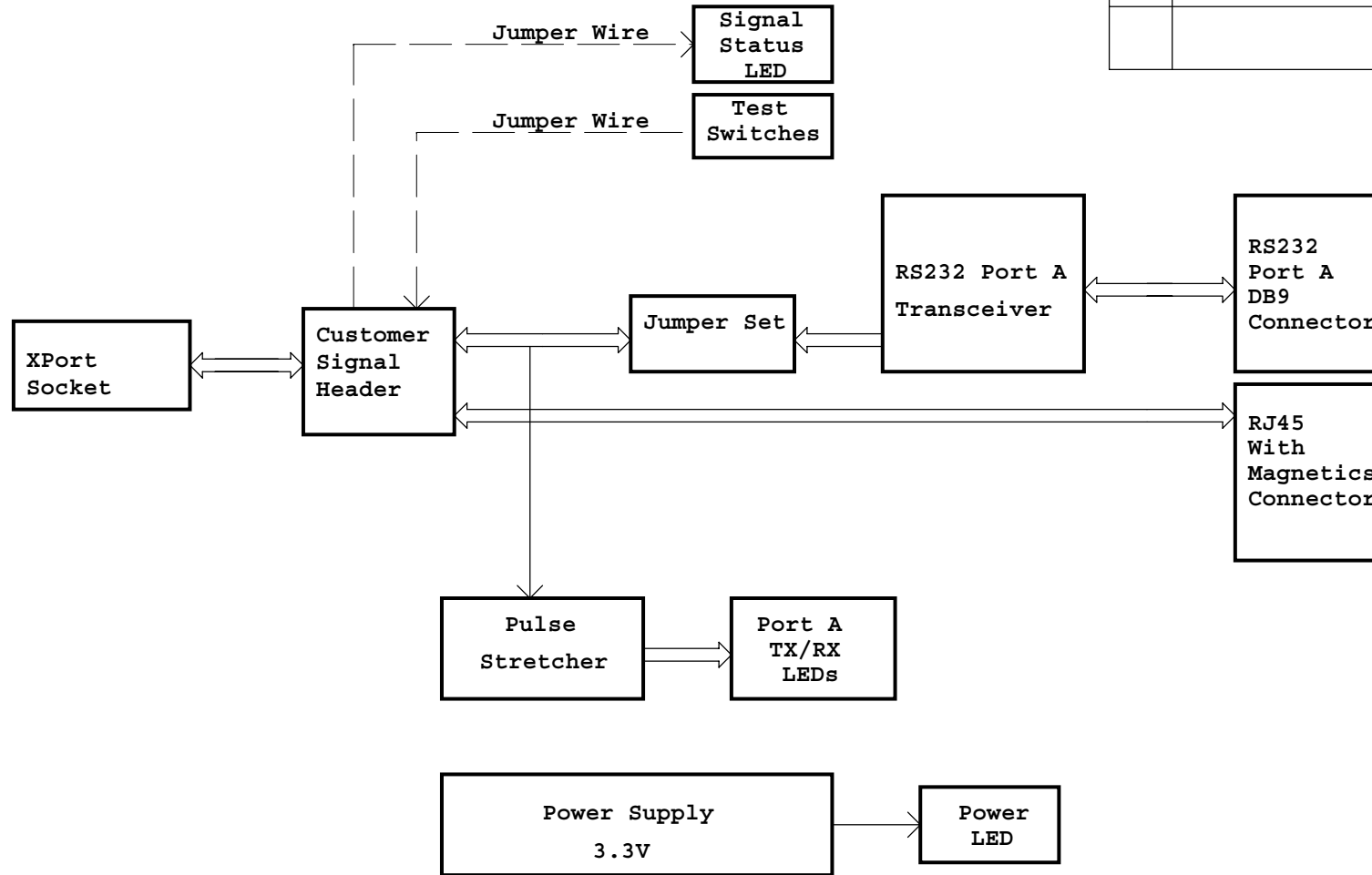


XPort Eval Board

REV	COMMENT	AUTHOR	DATE
A	INITIAL RELEASE	MS	8/25/2009



5

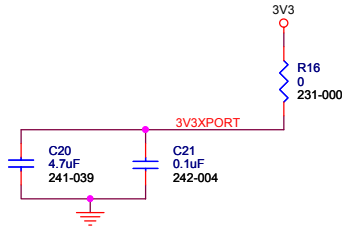
4

3

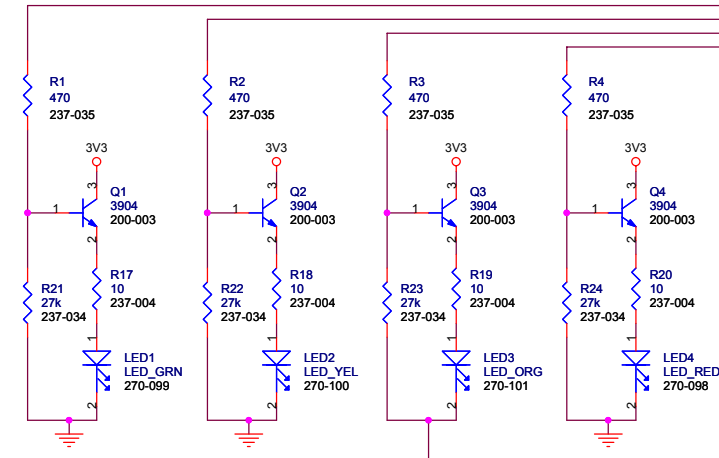
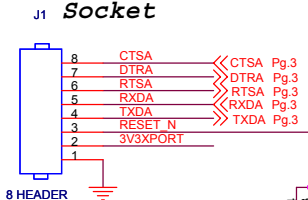
2

1

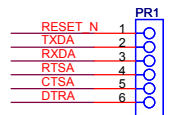
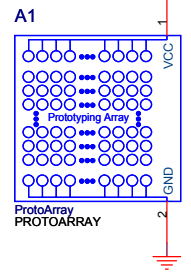
User Jumpered I/O



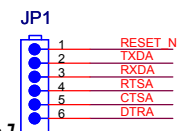
XPort Socket



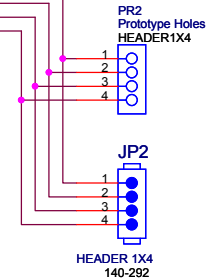
Prototyping Area



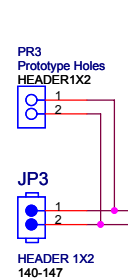
Signal Access Header



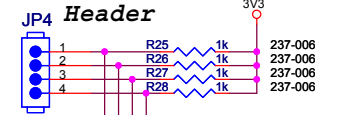
LED Header



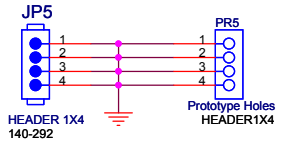
Switch Header



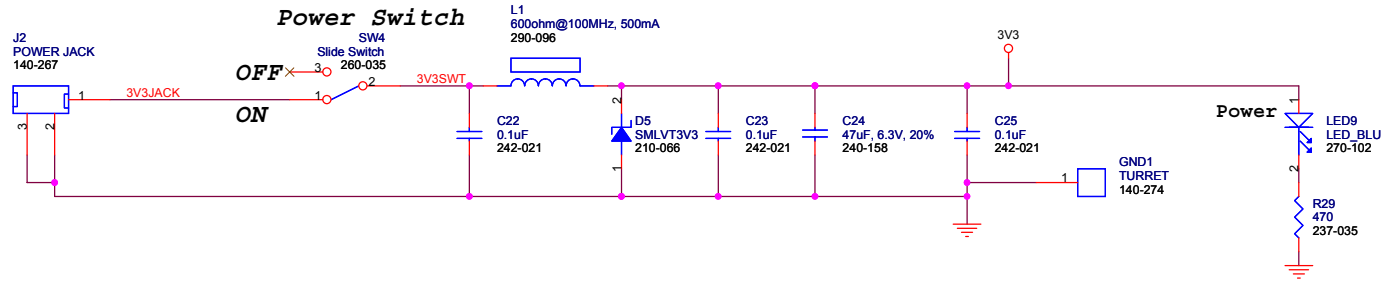
Pull-Up Header



GND Header



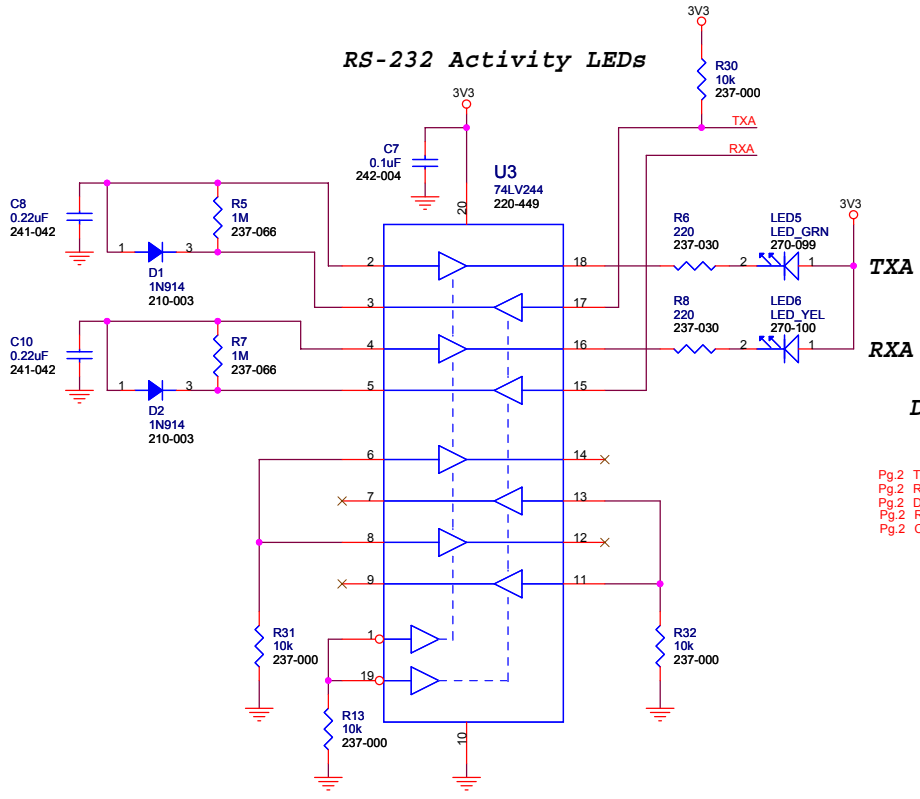
Power Switch



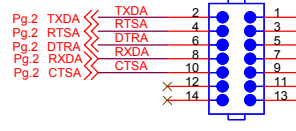
LANTRONIX CONFIDENTIAL MS

Title		Sockets and LEDs	
Size B	Document Number	330-219-SCH-R	
Date:	Tuesday, August 25, 2009	Sheet	2 of 3
			Rev A

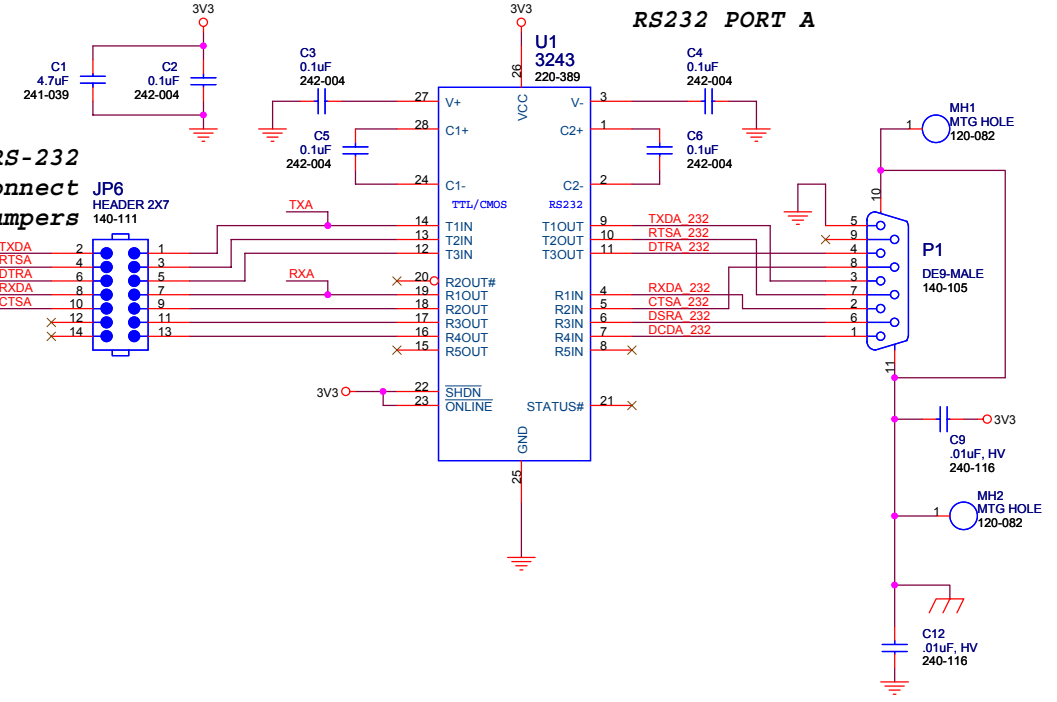
RS-232 Activity LEDs



RS-232 Disconnect Jumpers



RS232 PORT A



LANTRONIX®		CONFIDENTIAL MS
Title RS232 Transceiver		
Size B	Document Number 330-219-SCH-R	Rev A
Date: Tuesday, August 25, 2009	Sheet 3	of 3